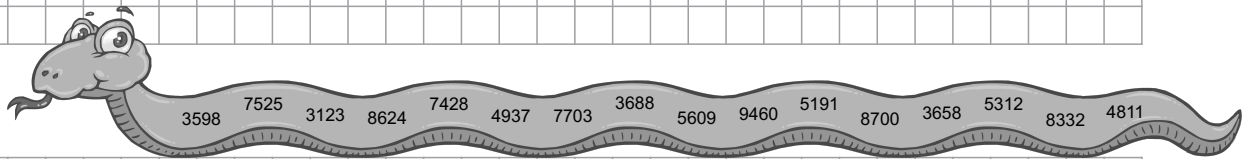
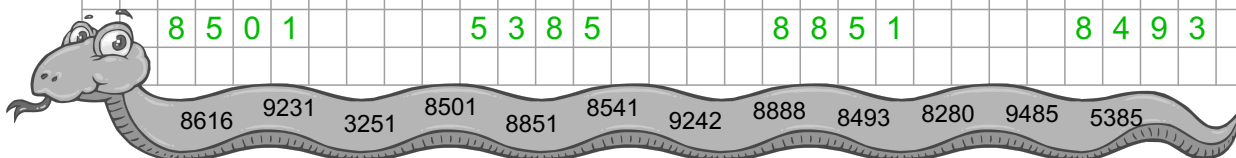


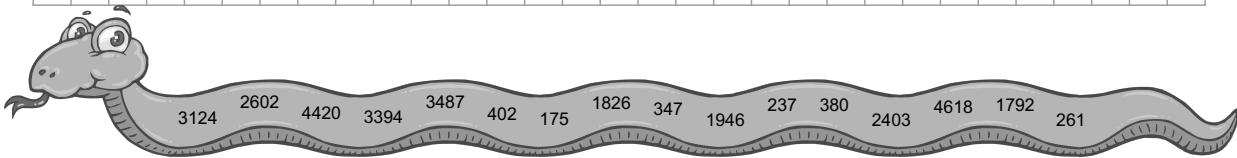
$\begin{array}{r} 6350 \\ + 1175 \\ \hline 7525 \end{array}$	$\begin{array}{r} 7843 \\ + 489 \\ \hline 8332 \end{array}$	$\begin{array}{r} 3381 \\ + 307 \\ \hline 3688 \end{array}$	$\begin{array}{r} 7589 \\ + 1871 \\ \hline 9460 \end{array}$
$\begin{array}{r} 1680 \\ + 3131 \\ \hline 4811 \end{array}$	$\begin{array}{r} 2075 \\ + 2862 \\ \hline 4937 \end{array}$	$\begin{array}{r} 2641 \\ + 1017 \\ \hline 3658 \end{array}$	$\begin{array}{r} 1810 \\ + 1313 \\ \hline 3123 \end{array}$
$\begin{array}{r} 7218 \\ + 1406 \\ \hline 8624 \end{array}$	$\begin{array}{r} 5357 \\ + 3343 \\ \hline 8700 \end{array}$	$\begin{array}{r} 5179 \\ + 133 \\ \hline 5312 \end{array}$	$\begin{array}{r} 4038 \\ + 1153 \\ \hline 5191 \end{array}$
$\begin{array}{r} 5377 \\ + 2326 \\ \hline 7703 \end{array}$	$\begin{array}{r} 2573 \\ + 1025 \\ \hline 3598 \end{array}$	$\begin{array}{r} 4303 \\ + 1306 \\ \hline 5609 \end{array}$	$\begin{array}{r} 4672 \\ + 2756 \\ \hline 7428 \end{array}$



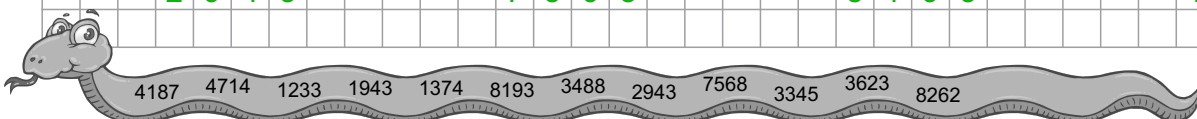
$\begin{array}{r} 4719 \\ + 2622 \\ + 1547 \\ \hline 8888 \end{array}$	$\begin{array}{r} 3802 \\ + 3256 \\ + 1558 \\ \hline 8616 \end{array}$	$\begin{array}{r} 1819 \\ + 1064 \\ + 368 \\ \hline 3251 \end{array}$	$\begin{array}{r} 4377 \\ + 2710 \\ + 1454 \\ \hline 8541 \end{array}$
$\begin{array}{r} 5185 \\ + 1261 \\ + 2785 \\ \hline 9231 \end{array}$	$\begin{array}{r} 7403 \\ + 271 \\ + 1568 \\ \hline 9242 \end{array}$	$\begin{array}{r} 7008 \\ + 1608 \\ + 869 \\ \hline 9485 \end{array}$	$\begin{array}{r} 1821 \\ + 221 \\ + 6238 \\ \hline 8280 \end{array}$
$\begin{array}{r} 3485 \\ + 3216 \\ + 1800 \\ \hline 8501 \end{array}$	$\begin{array}{r} 3837 \\ + 1404 \\ + 144 \\ \hline 5385 \end{array}$	$\begin{array}{r} 5150 \\ + 2279 \\ + 1422 \\ \hline 8851 \end{array}$	$\begin{array}{r} 3374 \\ + 638 \\ + 4481 \\ \hline 8493 \end{array}$



$\begin{array}{r} 7081 \\ - 2463 \\ \hline 4618 \end{array}$	$\begin{array}{r} 8808 \\ - 6206 \\ \hline 2602 \end{array}$	$\begin{array}{r} 2052 \\ - 106 \\ \hline 1946 \end{array}$	$\begin{array}{r} 1707 \\ - 1305 \\ \hline 402 \end{array}$
$\begin{array}{r} 4225 \\ - 738 \\ \hline 3487 \end{array}$	$\begin{array}{r} 7255 \\ - 2835 \\ \hline 4420 \end{array}$	$\begin{array}{r} 1523 \\ - 1143 \\ \hline 380 \end{array}$	$\begin{array}{r} 3207 \\ - 1415 \\ \hline 1792 \end{array}$
$\begin{array}{r} 3736 \\ - 1333 \\ \hline 2403 \end{array}$	$\begin{array}{r} 1096 \\ - 749 \\ \hline 347 \end{array}$	$\begin{array}{r} 4509 \\ - 1115 \\ \hline 3394 \end{array}$	$\begin{array}{r} 8143 \\ - 5019 \\ \hline 3124 \end{array}$
$\begin{array}{r} 2879 \\ - 1053 \\ \hline 1826 \end{array}$	$\begin{array}{r} 1435 \\ - 1260 \\ \hline 175 \end{array}$	$\begin{array}{r} 8107 \\ - 7846 \\ \hline 261 \end{array}$	$\begin{array}{r} 5016 \\ - 4779 \\ \hline 237 \end{array}$



$\begin{array}{r} 10000 \\ - 8626 \\ \hline 1374 \end{array}$	$\begin{array}{r} 10000 \\ - 6377 \\ \hline 3623 \end{array}$	$\begin{array}{r} 10000 \\ - 5813 \\ \hline 4187 \end{array}$	$\begin{array}{r} 10000 \\ - 5286 \\ \hline 4714 \end{array}$
$\begin{array}{r} 10000 \\ - 6655 \\ \hline 3345 \end{array}$	$\begin{array}{r} 10000 \\ - 6512 \\ \hline 3488 \end{array}$	$\begin{array}{r} 10000 \\ - 8057 \\ \hline 1943 \end{array}$	$\begin{array}{r} 10000 \\ - 1738 \\ \hline 8262 \end{array}$
$\begin{array}{r} 10000 \\ - 7057 \\ \hline 2943 \end{array}$	$\begin{array}{r} 10000 \\ - 2432 \\ \hline 7568 \end{array}$	$\begin{array}{r} 10000 \\ - 1807 \\ \hline 8193 \end{array}$	$\begin{array}{r} 10000 \\ - 8767 \\ \hline 1233 \end{array}$



$$5 \cdot 1828$$

$$\begin{array}{r} 5 \\ 40 \\ 10 \\ 40 \\ \hline 9140 \end{array}$$

$$4 \cdot 891$$

$$\begin{array}{r} 32 \\ 36 \\ 4 \\ \hline 3564 \end{array}$$

$$3 \cdot 2212$$

$$\begin{array}{r} 6 \\ 6 \\ 3 \\ 6 \\ \hline 6636 \end{array}$$

$$5 \cdot 680$$

$$\begin{array}{r} 30 \\ 40 \\ 0 \\ \hline 3400 \end{array}$$

$$7 \cdot 229$$

$$\begin{array}{r} 14 \\ 14 \\ 63 \\ 1 \\ \hline 1603 \end{array}$$

$$9 \cdot 371$$

$$\begin{array}{r} 27 \\ 63 \\ 9 \\ 1 \\ \hline 3339 \end{array}$$

$$3 \cdot 1584$$

$$\begin{array}{r} 3 \\ 15 \\ 24 \\ 12 \\ \hline 4752 \end{array}$$

$$6 \cdot 556$$

$$\begin{array}{r} 30 \\ 30 \\ 36 \\ \hline 3336 \end{array}$$

$$9 \cdot 1003$$

$$\begin{array}{r} 9 \\ 0 \\ 0 \\ 27 \\ \hline 9027 \end{array}$$

$$4 \cdot 1414$$

$$\begin{array}{r} 4 \\ 16 \\ 4 \\ 16 \\ \hline 5656 \end{array}$$

$$9 \cdot 1016$$

$$\begin{array}{r} 9 \\ 0 \\ 9 \\ 54 \\ 1 \\ \hline 9144 \end{array}$$

$$3 \cdot 2880$$

$$\begin{array}{r} 6 \\ 24 \\ 24 \\ 0 \\ \hline 8640 \end{array}$$

$$9 \cdot 257$$

$$\begin{array}{r} 18 \\ 45 \\ 63 \\ 11 \\ \hline 2313 \end{array}$$

$$2 \cdot 2263$$

$$\begin{array}{r} 4 \\ 4 \\ 12 \\ 6 \\ \hline 4526 \end{array}$$

$$8 \cdot 1004$$

$$\begin{array}{r} 8 \\ 0 \\ 0 \\ 32 \\ \hline 8032 \end{array}$$

$$8 \cdot 560$$

$$\begin{array}{r} 40 \\ 48 \\ 0 \\ \hline 4480 \end{array}$$

$$7 \cdot 879$$

$$\begin{array}{r} 56 \\ 49 \\ 63 \\ 11 \\ \hline 6153 \end{array}$$

$$6 \cdot 236$$

$$\begin{array}{r} 12 \\ 18 \\ 36 \\ 1 \\ \hline 1416 \end{array}$$

$$6 \cdot 742$$

$$\begin{array}{r} 42 \\ 24 \\ 12 \\ \hline 4452 \end{array}$$

$$3 \cdot 1528$$

$$\begin{array}{r} 3 \\ 15 \\ 6 \\ 24 \\ \hline 4584 \end{array}$$



$$71 \cdot 28$$

$$\begin{array}{r} 142 \\ 568 \\ \hline 1988 \end{array}$$

$$82 \cdot 42$$

$$\begin{array}{r} 328 \\ 164 \\ \hline 3444 \end{array}$$

$$49 \cdot 141$$

$$\begin{array}{r} 49 \\ 196 \\ \hline 6909 \end{array}$$

$$81 \cdot 72$$

$$\begin{array}{r} 567 \\ 162 \\ \hline 5832 \end{array}$$

$$25 \cdot 215$$

$$\begin{array}{r} 50 \\ 25 \\ 125 \\ \hline 5375 \end{array}$$

$$77 \cdot 110$$

$$\begin{array}{r} 77 \\ 77 \\ \hline 8470 \end{array}$$

$$85 \cdot 20$$

$$\begin{array}{r} 170 \\ 0 \\ \hline 1700 \end{array}$$

$$85 \cdot 89$$

$$\begin{array}{r} 680 \\ 765 \\ \hline 7565 \end{array}$$

$$82 \cdot 38$$

$$\begin{array}{r} 246 \\ 656 \\ \hline 3116 \end{array}$$

$$58 \cdot 33$$

$$\begin{array}{r} 174 \\ 174 \\ \hline 1914 \end{array}$$

$$73 \cdot 68$$

$$\begin{array}{r} 438 \\ 584 \\ \hline 4964 \end{array}$$

$$66 \cdot 147$$

$$\begin{array}{r} 66 \\ 264 \\ 462 \\ \hline 9702 \end{array}$$

$$11 \cdot 654$$

$$\begin{array}{r} 66 \\ 55 \\ 44 \\ \hline 7194 \end{array}$$

$$19 \cdot 359$$

$$\begin{array}{r} 57 \\ 95 \\ 171 \\ \hline 6821 \end{array}$$

$$65 \cdot 87$$

$$\begin{array}{r} 520 \\ 455 \\ \hline 5655 \end{array}$$

$$46 \cdot 159$$

$$\begin{array}{r} 46 \\ 230 \\ 414 \\ \hline 7314 \end{array}$$

$$31 \cdot 152$$

$$\begin{array}{r} 31 \\ 155 \\ 62 \\ \hline 4712 \end{array}$$

$$46 \cdot 135$$

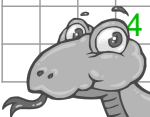
$$\begin{array}{r} 46 \\ 138 \\ 230 \\ \hline 6210 \end{array}$$

$$58 \cdot 28$$

$$\begin{array}{r} 116 \\ 464 \\ \hline 1624 \end{array}$$

$$62 \cdot 128$$

$$\begin{array}{r} 62 \\ 124 \\ 496 \\ \hline 7936 \end{array}$$



$$4938 : 2 = 2469$$

$$\begin{array}{r} 4938 \\ \underline{4} \\ 09 \\ \underline{8} \\ 13 \\ \underline{12} \\ 18 \\ \underline{18} \\ 0 \end{array}$$

$$3272 : 4 = 818$$

$$\begin{array}{r} 3272 \\ \underline{32} \\ 07 \\ \underline{4} \\ 32 \\ \underline{32} \\ 0 \end{array}$$

$$6849 : 3 = 2283$$

$$\begin{array}{r} 6849 \\ \underline{6} \\ 08 \\ \underline{6} \\ 24 \\ \underline{24} \\ 09 \\ \underline{9} \\ 0 \end{array}$$

$$3036 : 3 = 1012$$

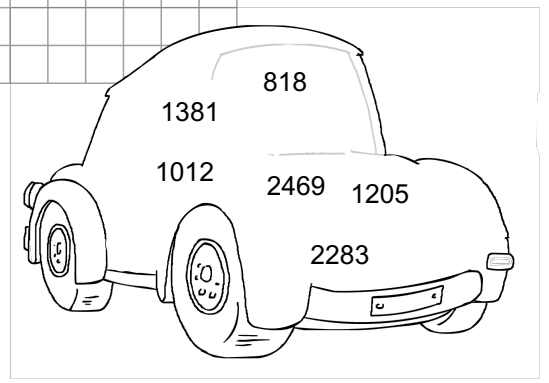
$$\begin{array}{r} 3036 \\ \underline{3} \\ 00 \\ \underline{0} \\ 03 \\ \underline{3} \\ 06 \\ \underline{6} \\ 0 \end{array}$$

$$7230 : 6 = 1205$$

$$\begin{array}{r} 7230 \\ \underline{6} \\ 12 \\ \underline{12} \\ 03 \\ \underline{0} \\ 30 \\ \underline{30} \\ 0 \end{array}$$

$$9667 : 7 = 1381$$

$$\begin{array}{r} 9667 \\ \underline{7} \\ 26 \\ \underline{21} \\ 56 \\ \underline{56} \\ 07 \\ \underline{7} \\ 0 \end{array}$$



$$9790 : 5 = 1958$$

5

47  
45

29  
25

40  
40

0

$$2814 : 6 = 469$$

24

41  
36

1

54  
54

0

$$1778 : 7 = 254$$

14

37  
35

28  
28

0

$$9684 : 4 = 2421$$

8

16  
16

08  
8

04  
4

0

$$4764 : 3 = 1588$$

3

17  
15

26  
24

24  
24

0

$$3824 : 4 = 956$$

36

22  
20

24  
24

0

